

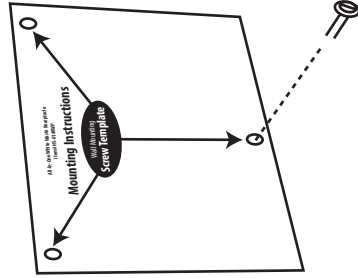
**All-In-One White Waste Receptacle**  
**Item# HS-6140WP**

**Mounting Instructions**

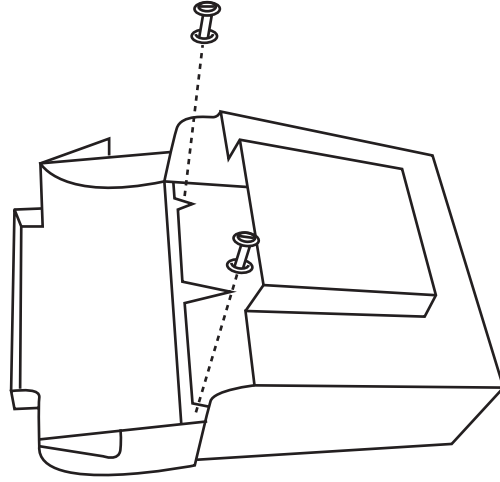
**Wall Mounting  
 Screw Template**

**WALL MOUNTING**

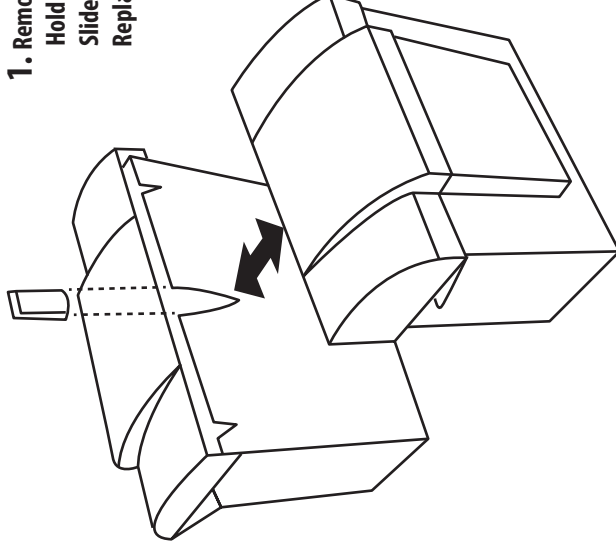
**BACK TO BACK  
 MOUNTING**



1. Locate screw in bottom position.



2. Remove inner basket.  
 Place receptacle on bottom screw.  
 Install top screws.  
 Replace inner basket.



1. Remove inner basket.  
 Hold receptacles back to back.  
 Slide connector down over center slots.  
 Replace inner basket.

**REORDER** | Liner Bags: LBS500HD, LBM500HD, or HS-6141  
 Combination Dispenser Receptacle: HS-6140WP

Call your local Distributor or call Hospeco Brands Group at 800.942.9199  
 for the name of a Distributor nearest you.



Hospeco Brands Group  
 P: 800.942.9199  
 F: 216.279.0019  
 www.hospecobrands.com

# INSTALLATION INSTRUCTIONS

## Scensibles® Universal Poly Liners

# scensibles®

### ITEM# LBS500HD (recommended), LBM500HD

Tight-fitting open-end bag designed for Scensibles® CDW, CDB and Hospeco Brands Group HS-6140WP receptacles.  
Case Pack: 500/case

### SAMPLE OF LBS500HD LINER INCLUDED WITH RECEPTACLE



#### ■ STEP 1

Open the receptacle and remove rigid liner from inside of receptacle.



#### ■ STEP 2

Open bag and stretch to fit snugly on all four sides of the rigid liner.



#### ■ STEP 3

Place rigid liner back into receptacle.



#### ■ STEP 4

To remove a filled liner bag, pull up on the bag to discard contents.



CONTACT YOUR LOCAL REPRESENTATIVE OR CALL 800-942-9199 FOR MORE INFORMATION.  
[WWW.HOSPECOBRANDS.COM](http://WWW.HOSPECOBRANDS.COM)